



KEENSERTS® EPT1 POWER TOOL
BATTERY DRIVEN POWER TOOL FOR CAMLOC® KEENSERTS® INSERTS

- The battery driven Power Tool EPT1 installs metric KEENSERTS® from size M5 to M12 and imperial sizes from 10-32 (10-24) to ½-20 (½-13).
- Portable tool to make installation easy in any environment.
- It is easy to operate due to the one-trigger operation.
- The installation is quick, consistent and reliable.
- The battery driven system is low maintenance, ergonomic and lightweight.
- Individual adjustments can be made using the integrated force control via the tool's display.
- Individual language selection via the tool's display.
- Please note: The package includes the Power Tool EPT1, two batteries, a tool wrench, a charger and the installation manual.
- An appropriate nosepiece for each size of KEENSERTS® must be ordered separately.
- All nosepieces are compatible with the hydropneumatic KEENSERTS® Power Tool 3352PT1 and 3352PT2.
- For more information please contact Camloc.

Installation video:



Available metric nosepiece sets

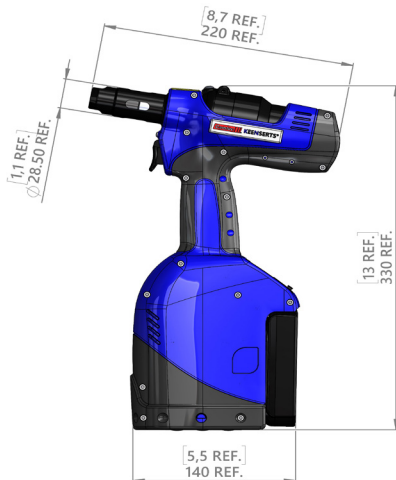
KEENSERTS® Size	Part number
-----------------	-------------

KNM Series

KNM(L)5X0.8	3352TM5X0.8AY
KNM(L)6X1.0	3352TM6X1.0AY
KNM(L)8X1.25	3352TM8X1.25AY
KNM(L)10X1.5	3352TM10X1.5AY
KNM(L)12X1.75	3352TM12X1.75AY

KNHM Series

KNHM(L)5X0.8	3352THM5X0.8AY
KNHM(L)6X1.0	3352THM6X1.0AY
KNHM(L)8X1.25	3352THM8X1.25AY
KNHM(L)10X1.5	3352THM10X1.5AY
KNHM(L)12X1.75	3352THM12X1.75AY



Technical Data

Power Tool	EPT1
Setting Force (Min - Max)	3.0 - 22.0 kN
Max. Spindle Stroke	7.0 mm / 0.276 inch
Tool Weight (without nosepiece)	2.1 Kg / 4.63 Pounds
Battery Weight	0.3 Kg / 0.66 Pounds
Battery	Li-Ion / 14.4 V / 2.6 Ah
Vibration	< 0.672 m/s ² / < 2.1 ft/s ²
Sound Pressure Level LpA	71.1 dB (A)
Sound Power Level LwA	82.1 dB(A)
Temperature range	5 °C - 40 °C

Available imperial nosepiece sets

KEENSERTS® Size	Part number
-----------------	-------------

KNJ Series

KN(L)1032J	3352T1032AY
KN(L)1024J	3352T1024AY
KN(L)428J	3352T428AY
KN(L)420J	3352T420AY
KN(L)524J	3352T524AY
KN(L)518J	3352T518AY
KN(L)624J	3352T624AY
KN(L)616J	3352T616AY
KN(L)720J	3352T720AY
KN(L)714J	3352T714AY
KN(L)820J	3352T820AY
KN(L)813J	3352T813AY

KNHJ Series

KNH(L)1032J	3352TH1032AY
KNH(L)1024J	3352TH1024AY
KNH(L)428J	3352TH428AY
KNH(L)420J	3352TH420AY
KNH(L)524J	3352TH524AY
KNH(L)518J	3352TH518AY
KNH(L)624J	3352TH624AY
KNH(L)616J	3352TH616AY
KNH(L)720J	3352TH720AY
KNH(L)714J	3352TH714AY
KNH(L)820J	3352TH820AY
KNH(L)813J	3352TH813AY

CONTACT

Arconic Fastening Systems
Fairchild Fasteners Europe - Camloc GmbH
Industriestrasse 6
65779 Kelkheim/Ts.
Germany
Tel: +49 (0) 6195 805 0
Fax: +49 (0) 6195 2001
Mail: info@afscamloc.net
Web: www.afscamloc.net